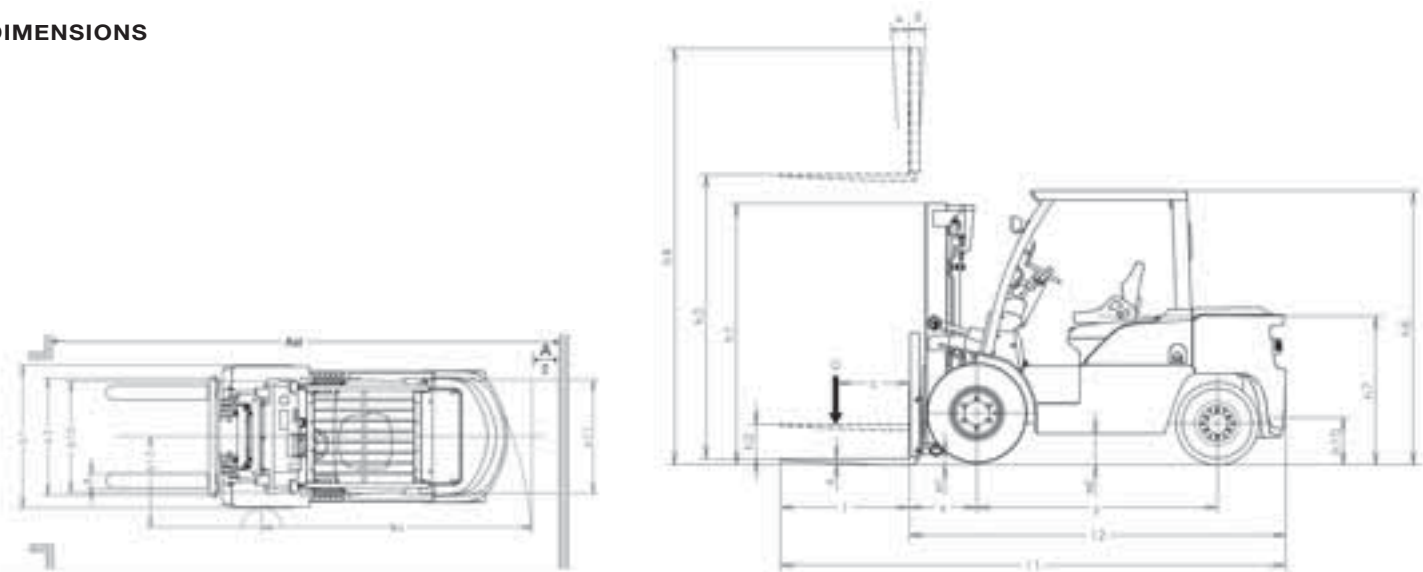


DIMENSIONS



MAST SPECIFICATIONS & RATED CAPACITIES: GX-45

Mast Type	Mast Name	Maximum fork height mm ¹⁾	Overall Height				Free Lift		Tilt angle Forward/ backward degrees	Load capacity ²⁾	
			Fully lowered mm ¹⁾	Fully extended		Without backrest mm ¹⁾	With STD backrest mm ¹⁾	Load center 600 mm kg ¹⁾			
				Without backrest mm ¹⁾	With STD backrest mm ¹⁾						
TWO STAGE WIDE VIEW	2W 300	3000	2145	3855	4100	175	175	6-12	4500		
	2W 330	3300	2295	4155	4400	175	175	6-12	4500		
	2W 350	3500	2430	4355	4600	175	175	6-12	4500		
	2W 370	3700	2545	4555	4800	175	175	6-12	4500		
	2W 400	4000	2745	4855	5100	175	175	6-12	4500		
	2W 450	4500	2995	5355	5600	175	175	6-6	4500		
THREE STAGE FULL FREE	2W 500	5000	3245	5855	6100	175	175	6-6	4500		
	3F 385	3850	2145	4735	4950	1320	1105	6-6	4500		
	3F 430	4300	2295	5185	5400	1470	1255	6-6	4500		
	3F 475	4750	2430	5635	5850	1605	1390	6-6	4500		
	3F 515	5150	2545	6035	6250	1720	1505	6-6	4500*		
	3F 550	5500	2745	6385	6600	1920	1705	6-6	4300*		
	3F 600	6000	2995	6885	7100	2170	1955	6-6	4100*		
	3F 650	6500	3245	7385	7600	2420	2205	6-6	3900*		
	3F 700	7000	3495	7885	8100	2670	2455	6-6	3750*		

¹⁾ 1 inch = 25.4 mm

1kg = 0.4536 lb

²⁾ Capacity with single pneumatic tires unless indicated
* Capacity with double superelastic tires

MAST SPECIFICATIONS & RATED CAPACITIES: GX-50

Mast Type	Mast Name	Maximum fork height mm ¹⁾	Overall Height				Free Lift		Tilt angle Forward/ backward degrees	Load capacity ²⁾	
			Fully lowered mm ¹⁾	Fully extended		Without backrest mm ¹⁾	With STD backrest mm ¹⁾	Load center 600 mm kg ¹⁾			
				Without backrest mm ¹⁾	With STD backrest mm ¹⁾						
TWO STAGE WIDE VIEW	2W 300	3000	2145	3885	4300	175	175	6-12	5000		
	2W 330	3300	2295	4185	4600	175	175	6-12	5000		
	2W 350	3500	2430	4385	4800	175	175	6-12	5000		
	2W 370	3700	2545	4585	5000	175	175	6-12	5000		
	2W 400	4000	2745	4885	5300	175	175	6-12	5000		
	2W 450	4500	2995	5385	5800	175	175	6-6	5000		
THREE STAGE FULL FREE	2W 500	5000	3245	5885	6300	175	175	6-6	5000		
	3F 385	3850	2145	4735	5150	1320	905	6-6	5000		
	3F 430	4300	2295	5185	5600	1470	1055	6-6	5000		
	3F 475	4750	2430	5635	6050	1605	1190	6-6	5000		
	3F 515	5150	2545	6035	6450	1720	1305	6-6	5000*		
	3F 550	5500	2745	6385	6800	1920	1505	6-6	4850*		
	3F 600	6000	2995	6885	7300	2170	1755	6-6	4650*		
	3F 650	6500	3245	7385	7800	2420	2005	6-6	4450*		
	3F 700	7000	3495	7885	8300	2670	2255	6-6	4300*		

¹⁾ 1 inch = 25.4 mm

1kg = 0.4536 lb

²⁾ Capacity with single pneumatic tires unless indicated
* Capacity with double superelastic tires



NISSAN FORKLIFT EUROPE B.V.

<http://www.nissan-nfe.com> SEN-GX-01.NFE/03-09-2500 Printed in The Netherlands



Nissan Motor Co., Ltd. reserves the right to make any changes without notice concerning colors, equipment or specifications detailed in this brochure, or to discontinue individual models. The colors of vehicles delivered may differ slightly from those in this brochure. The specifications vary for different countries depending on local market conditions. Please consult your local dealer to ensure that the vehicle delivered accords with your expectations. All values given may vary, due to motor and system tolerances and operational conditions. Some equipment shown on photos are optional.

NISSAN FORKLIFT

GX

Series

3.5 - 5.0 Tonne



STANDARD SPECIFICATIONS

March 2009	Counterbalance trucks Designation according VDI 3586	Data sheet for materials handling equipment	VDI 2198 Registration note			
			Manufacturers Data and Design Characteristics			
CHARACTERISTICS	1.1 Manufacturer		Nissan	Nissan	Nissan	Nissan
	1.2 Model name		GX-40		GX-40H	
	1.3 Power unit: Electric, Diesel, Gasoline, LPG, others		LPG	Diesel	LPG	Diesel
	1.4 Operation: Sit, Hand, Pedestrian, Standing, Order picking		Sit	Sit	Sit	Sit
WEIGHTS	1.5 Load capacity	Q (t)	4.0 (3.5)	4.0 (3.5)	4.0	4.0
	1.6 Load centre	c (mm)	500 (600)	500 (600)	600	600
	1.8 Front overhang	x (mm)	560	560	560	560
WHEELS & TIRES	1.9 Wheel base	y (mm)	2000	2000	2000	2000
	2.1 Service weight	kg	5810*	5760	6035*	5985
	2.2 Axle load with load, front/rear	kg	8070/1240	8095/1165	8835/1200	8860/1125
	2.3 Axle load without load, front/rear	kg	2540/3270	2565/3195	2515/3520	2540/3445
DIMENSIONS	3.1 Tyres front/rear		Pneumatic (Superelastic)			
	3.2 Tyre size, front		300-15-18PR	300-15-18PR	300-15-18PR	300-15-18PR
	3.3 Tyre size, rear		7.00-12-12PR	7.00-12-12PR	7.00-12-12PR	7.00-12-12PR
	3.5 Wheels, number front/rear (x=powered)		2x/2	2x/2	2x/2	2x/2
	3.6 Tread, front	b10(mm)	1180	1180	1180	1180
	3.7 Tread, rear	b11(mm)	1180	1180	1180	1180
	4.1 Tilt Mast/carriage, forward/backward	α/β (°)	6/12	6/12	6/12	6/12
	4.2 Height mast fully lowered	h1 (mm)	2145	2145	2145	2145
	4.3 Free lift	h2 (mm)	130	130	130	130
	4.4 Lift height	h3 (mm)	3000	3000	3000	3000
4.5 Height mast fully extended	h4 (mm)	4100	4100	4100	4100	
4.7 Overhead guard height	h6 (mm)	2250**	2250**	2250**	2250**	
4.8 Seat height	h7 (mm)	1170	1170	1170	1170	
4.12 Towing coupler height	h10 (mm)	357	357	357	357	
4.19 Overall length	l1 (mm)	4165	4165	4200	4200	
4.20 Length to fork face	l2 (mm)	3095	3095	3130	3130	
4.21 Overall width	b1(mm)	1490	1490	1490	1490	
4.22 Fork dimensions	s/e/l (mm)	50x150x1070	50x150x1070	50x150x1070	50x150x1070	
4.23 Carriage DIN 15173, Class / Form A,B		3A	3A	3A	3A	
4.24 Carriage width	b3 (mm)	1200	1200	1200	1200	
4.31 Mast underclearance loaded	m1 (mm)	145	145	145	145	
4.32 Underclearance centre wheelbase	m2 (mm)	225	225	225	225	
4.33 Right angle stacking aisle with pallet 1000 x 1200 across forks	Ast (mm)	4480	4480	4510	4510	
4.34 Right angle stacking aisle with pallet 800 x 1200 across forks	Ast (mm)	4280	4280	4310	4310	
4.35 Turning radius	Wa (mm)	2720	2720	2750	2750	
4.36 Internal turning radius	b13 (mm)	818	818	818	818	
PERFORMANCE	5.1 Travelling speed with/without load	km/h	18/18 (22/22)	18/19.5 (23.5/24.5)	18/18 (22/22)	18/19.5 (23.5/24.5)
	5.2 Lifting speed with/without load	m/s	480/480	500/520	480/480	500/520
	5.3 Lowering speed with/without load	m/s	500/500	500/500	500/500	500/500
	5.5 Drawbar pull, with/without load	kN	30/26	29/23	31/27	30/24
	5.7 Gradeability with/without load	%	32/27	27/27	28/26	26/24
	5.9 Acceleration with/without load	s	5.1/4.4	4.9/4.2	5.4/4.6	5.3/4.5
	5.10 Service brake		Hydraulic			
DRIVE	7.1 Engine manufacturer/type		Nissan TB45	Nissan TD42	Nissan TB45	Nissan TD42
	7.2 Engine rated power according ISO 1585	kW	71.3	61.0	71.3	61.0
	7.3 Rated engine revolutions	min ⁻¹	2450	2400	2450	2400
	7.4 Number of cylinders/Displacement	cm ³	6/4478	6/4169	6/4478	6/4169
OTHERS	8.1 Type of drive control		Torque converter / 1 or 2 gears forward			
	8.2 Working pressure attachments	bar	137	137	137	137
	8.4 Noise level operator's ear according EN 12053	dB(A)	79	79	79	79

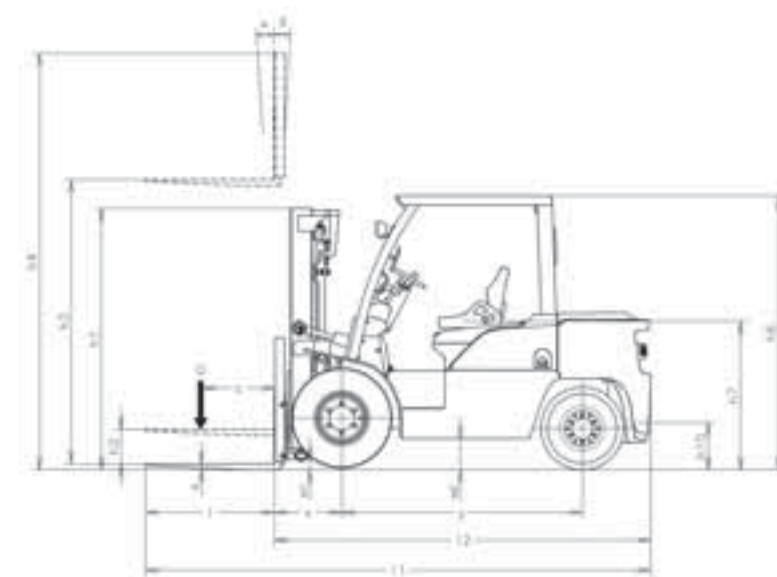
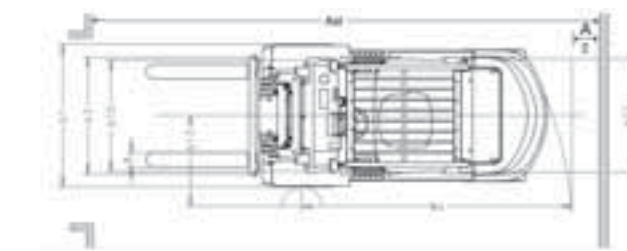
* Excluding the weight for LPG bottle
** Overhead guard height with cabin: 2350 mm
Speed data between brackets refers to transmission with two gears forward

STANDARD SPECIFICATIONS

March 2009	Counterbalance trucks Designation according VDI 3586	Data sheet for materials handling equipment	VDI 2198 Registration note			
			Manufacturers Data and Design Characteristics			
CHARACTERISTICS	1.1 Manufacturer		Nissan	Nissan	Nissan	Nissan
	1.2 Model name		GX-45		GX-50	
	1.3 Power unit: Electric, Diesel, Gasoline, LPG, others		LPG	Diesel	LPG	Diesel
	1.4 Operation: Sit, Hand, Pedestrian, Standing, Order picking		Sit	Sit	Sit	Sit
WEIGHTS	1.5 Load capacity	Q (t)	4.5	4.5	5.0	5.0
	1.6 Load centre	c (mm)	600	600	600	600
	1.8 Front overhang	x (mm)	587	587	597	597
WHEELS & TIRES	1.9 Wheel base	y (mm)	2000	2000	2150	2150
	2.1 Service weight	kg	6830*	6780	7330*	7325
	2.2 Axle load with load, front/rear	kg	9880/1450	9910/1370	10775/1555	10775/1550
	2.3 Axle load without load, front/rear	kg	2710/4120	2740/4040	2990/4340	2995/4330
DIMENSIONS	3.1 Tyres front/rear		Pneumatic (Superelastic)			
	3.2 Tyre size, front		300-15-18PR	300-15-18PR	300-15-18PR	300-15-18PR
	3.3 Tyre size, rear		7.00-12-14PR	7.00-12-14PR	7.00-12-14PR	7.00-12-14PR
	3.5 Wheels, number front/rear (x=powered)		2x/2	2x/2	2x/2	2x/2
	3.6 Tread, front	b10(mm)	1180	1180	1180	1180
	3.7 Tread, rear	b11(mm)	1180	1180	1180	1180
	4.1 Tilt Mast/carriage, forward/backward	α/β (°)	6/12	6/12	6/12	6/12
	4.2 Height mast fully lowered	h1 (mm)	2145	2145	2145	2145
	4.3 Free lift	h2 (mm)	175	175	175	175
	4.4 Lift height	h3 (mm)	3000	3000	3000	3000
4.5 Height mast fully extended	h4 (mm)	4100	4100	4300	4300	
4.7 Overhead guard height	h6 (mm)	2250**	2250**	2250**	2250**	
4.8 Seat height	h7 (mm)	1170	1170	1170	1170	
4.12 Towing coupler height	h10 (mm)	357	357	357	357	
4.19 Overall length	l1 (mm)	4280	4280	4560	4560	
4.20 Length to fork face	l2 (mm)	3210	3210	3340	3340	
4.21 Overall width	b1(mm)	1490	1490	1490	1490	
4.22 Fork dimensions	s/e/l (mm)	55x150x1070	55x150x1070	55x150x1220	55x150x1220	
4.23 Carriage DIN 15173, Class / Form A,B		3A	3A	4A	4A	
4.24 Carriage width	b3 (mm)	1200	1200	1200	1200	
4.31 Mast underclearance loaded	m1 (mm)	145	145	145	145	
4.32 Underclearance centre wheelbase	m2 (mm)	225	225	225	225	
4.33 Right angle stacking aisle with pallet 1000 x 1200 across forks	Ast (mm)	4585	4585	4735	4735	
4.34 Right angle stacking aisle with pallet 800 x 1200 across forks	Ast (mm)	4385	4385	4535	4535	
4.35 Turning radius	Wa (mm)	2800	2800	2935	2935	
4.36 Internal turning radius	b13 (mm)	818	818	880	880	
PERFORMANCE	5.1 Travelling speed with/without load	km/h	18/18 (22/22)	18/19.5 (23.5/24.5)	18/18 (22/22)	18/19.5 (23.5/24.5)
	5.2 Lifting speed with/without load	m/s	420/420	430/450	420/420	420/440
	5.3 Lowering speed with/without load	m/s	450/450	450/450	450/450	450/450
	5.5 Drawbar pull, with/without load	kN	32/27	31/24	33/28	31/25
	5.7 Gradeability with/without load	%	25/24	24/22	23/22	22/20
	5.9 Acceleration with/without load	s	5.8/4.9	5.7/4.8	6.1/5.1	6.0/5.0
	5.10 Service brake		Hydraulic			
DRIVE	7.1 Engine manufacturer/type		Nissan TB45	Nissan TD42	Nissan TB45	Nissan TD42
	7.2 Engine rated power according ISO 1585	kW	71.3	61.0	71.3	61.0
	7.3 Rated engine revolutions	min ⁻¹	2450	2400	2450	2400
	7.4 Number of cylinders/Displacement	cm ³	6/4478	6/4169	6/4478	6/4169
OTHERS	8.1 Type of drive control		Torque converter / 1 or 2 gears forward			
	8.2 Working pressure attachments	bar	137	137	137	137
	8.4 Noise level operator's ear according EN 12053	dB(A)	79	79	79	79

* Excluding the weight for LPG bottle
** Overhead guard height with cabin: 2350 mm
Speed data between brackets refers to transmission with two gears forward

DIMENSIONS



MAST SPECIFICATIONS & RATED CAPACITIES: GX-40 & GX-40H

Mast Type	Mast Name	Maximum fork height	Overall Height				Free Lift		Tilt angle Forward/backward degrees	Load capacity ²⁾	
			Fully lowered	Fully extended		Without backrest	With STD backrest	3.5 tonne		4.0 tonne	
				mm ¹⁾	Without backrest				With STD backrest		kg ¹⁾
TWO STAGE WIDE VIEW	2W 300	3000	2145	3835	4100	130	130	6-12	3500	4000	
	2W 330	3300	2295	4135	4400	130	130	6-12	3500	4000	
	2W 350	3500	2430	4335	4600	130	130	6-12	3500	4000	
	2W 370	3700	2545	4535	4800	130	130	6-12	3500	4000	
	2W 400	4000	2745	4835	5100	130	130	6-12	3500	4000	
	2W 450	4500	2995	5335	5600	130	130	6-6	3500	4000	
THREE STAGE FULL FREE	2W 500	5000	3245	5835	6100	130	130	6-6	3500	4000	
	3F 385	3850	1995	4725	4950	1175	950	6-6	3500	4000	
	3F 430	4300	2145	5175	5400	1325	1100	6-6	3500	4000	
	3F 475	4750	2295	5625	5850	1475	1250	6-6	3500	4000	
	3F 515	5150	2430	6025	6250	1615	1385	6-6	3500*	3950*	
	3F 550	5500	2545	6375	6600	1725	1500	6-6	3500*	3800*	
	3F 600	6000	2745	6875	7100	1925	1700	6-6	3350*	3700*	
3F 650	6500	2995	7375	7600	2175	1950	6-6	3200*	3500*		
3F 700	7000	3245	7875	8100	2425	2200	6-6	3100*	3350*		

¹⁾ 1 inch = 25.4 mm

1kg = 0.4536 lb

²⁾ Capacity with single pneumatic tires unless indicated
* Capacity with double superelastic tires