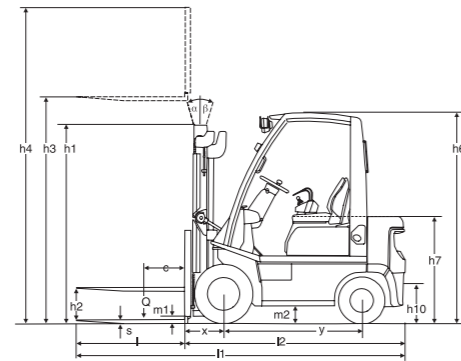
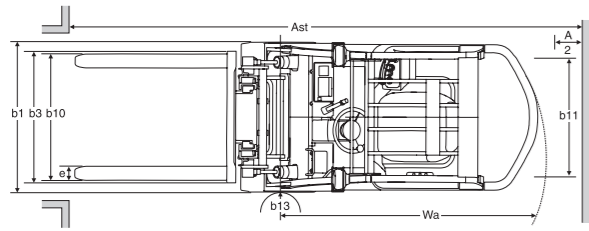


**DIMENSIONS**



**MAST SPECIFICATIONS & RATED CAPACITIES: 1.5 TONNE**

Mast Type	Mast name	Maximum fork height (mm) <sup>1)</sup>	Overall Height		Free Lift		Tilt angle Forward/backward degrees	Load capacity <sup>2)</sup>	
			Fully lowered (mm) <sup>1)</sup>	Fully extended (mm) <sup>1)</sup>	Without backrest (mm) <sup>1)</sup>	With STD backrest (mm) <sup>1)</sup>		Load centre 500 mm	kg <sup>1)</sup>
TWO STAGE WIDE VIEW	2W300	3000	1995	3640	3945	150	150	6/12	1500
	2W330	3300	2145	3940	4245	150	150	6/12	1500
	2W350	3500	2280	4140	4445	150	150	6/12	1500
	2W370	3700	2405	4340	4645	150	150	6/12	1500
	2W400	4000	2595	4640	4945	150	150	6/6	1500
TWO STAGE FULL FREE	2W450	4500	2845	5140	5445	150	150	6/6	1450
	2W500	5000	3095	5640	5945	150	150	6/6	1350
	2F300	3000	1995	3675	3945	1355	1085	6/12	1500
	2F330	3300	2145	3975	4245	1505	1235	6/12	1500
	2F350	3500	2280	4175	4445	1640	1370	6/12	1500
THREE STAGE FULL FREE	2F370	3700	2405	4375	4645	1765	1495	6/12	1500
	2F400	4000	2595	4675	4945	1955	1685	6/6	1500
	3F385	3850	1845	4525	4795	1205	935	6/6	1500
	3F430	4300	1995	4975	5245	1355	1085	6/6	1400
	3F475	4750	2145	5425	5695	1505	1235	6/6	1350
THREE STAGE FULL FREE WIDE VIEW	3F515	5150	2280	5825	6095	1640	1370	6/6	1300
	3F550	5500	2405	6175	6445	1765	1495	6/6	1250 *
	3F600	6000	2595	6675	6945	1955	1685	6/6	1100 #
	3F650	6500	2845	7175	7445	2205	1935	6/6	850 #
	3F700	7000	3095	7675	7945	2455	2185	6/6	700 #
	3V360	3600	1845	4225	4545	1165	935	6/6	1450
	3V405	4050	1995	4675	4995	1315	1085	6/6	1400
	3V450	4500	2145	5125	5445	1465	1235	6/6	1350
	3V490	4900	2280	5525	5845	1595	1370	6/6	1250
	3V525	5250	2405	5875	6195	1725	1495	6/6	1250 *
3V575	5750	2595	6375	6695	1915	1685	6/6	1150 #	
3V633	6330	2845	6955	7275	2165	1935	6/6	850 #	
3V688	6880	3095	7505	7825	2415	2185	6/6	700 #	

<sup>1)</sup> 1 inch = 25.4 mm 1 kg = 0.4536 lb    <sup>2)</sup> With single pneumatic tyres unless indicated    \* Load capacity with single super elastic tyres    #Load capacity with double tyres. Truck width: 1480 mm

**MAST SPECIFICATIONS & RATED CAPACITIES: 1.8 TONNE**

Mast Type	Mast name	Maximum fork height (mm) <sup>1)</sup>	Overall Height		Free Lift		Tilt angle Forward/backward degrees	Load capacity <sup>2)</sup>	
			Fully lowered (mm) <sup>1)</sup>	Fully extended (mm) <sup>1)</sup>	Without backrest (mm) <sup>1)</sup>	With STD backrest (mm) <sup>1)</sup>		Load centre 500 mm	kg <sup>1)</sup>
TWO STAGE WIDE VIEW	2W300	3000	1995	3640	3945	155	155	6/12	1750
	2W330	3300	2145	3940	4245	155	155	6/12	1750
	2W350	3500	2280	4140	4445	155	155	6/12	1750
	2W370	3700	2405	4340	4645	155	155	6/12	1750
	2W400	4000	2595	4640	4945	155	155	6/6	1700
TWO STAGE FULL FREE	2W450	4500	2845	5140	5445	155	155	6/6	1600
	2W500	5000	3095	5640	5945	155	155	6/6	1550
	2F300	3000	1995	3675	3945	1360	1090	6/12	1750
	2F330	3300	2145	3975	4245	1510	1240	6/12	1750
	2F350	3500	2280	4175	4445	1645	1375	6/12	1750
THREE STAGE FULL FREE	2F370	3700	2405	4375	4645	1770	1500	6/12	1750
	2F400	4000	2595	4675	4945	1960	1690	6/6	1750 *
	3F385	3850	1845	4525	4795	1210	940	6/6	1700
	3F430	4300	1995	4975	5245	1360	1090	6/6	1650
	3F475	4750	2145	5425	5695	1510	1240	6/6	1550
THREE STAGE FULL FREE WIDE VIEW	3F515	5150	2280	5825	6095	1645	1375	6/6	1450 *
	3F550	5500	2405	6175	6445	1770	1500	6/6	1350 *
	3F600	6000	2595	6675	6945	1960	1690	6/6	1200 #
	3F650	6500	2845	7175	7445	2210	1940	6/6	850 #
	3F700	7000	3095	7675	7945	2460	2190	6/6	700 #
	3V360	3600	1845	4225	4545	1170	940	6/6	1650
	3V405	4050	1995	4675	4995	1320	1090	6/6	1600
	3V450	4500	2145	5125	5445	1470	1240	6/6	1500
	3V490	4900	2280	5525	5845	1600	1375	6/6	1400
	3V525	5250	2405	5875	6195	1730	1500	6/6	1300 *
3V575	5750	2595	6375	6695	1920	1690	6/6	1250 *	
3V633	6330	2845	6955	7275	2170	1940	6/6	900 #	
3V688	6880	3095	7505	7825	2420	2190	6/6	700 #	

<sup>1)</sup> 1 inch = 25.4 mm 1 kg = 0.4536 lb    <sup>2)</sup> With single pneumatic tyres unless indicated    \* Load capacity with single super elastic tyres    #Load capacity with double tyres. Truck width: 1480 mm



**NISSAN FORKLIFT EUROPE B.V.**

<http://www.nissan-nfe.com> SEN-1D-01.NFE/07-12-10000 Printed in The Netherlands

Nissan Motor Co., Ltd. reserves the right to make any changes without notice concerning colors, equipment or specifications detailed in this brochure, or to discontinue individual models. The colors of vehicles delivered may differ slightly from those in this brochure. The specifications vary for different countries depending on local market conditions. Please consult your local dealer to ensure that the vehicle delivered accords with your expectations. All values given may vary, due to motor and system tolerances and operational conditions. Some equipment shown on photos are optional.



**NISSAN FORKLIFT**

**DX**

Series

1.5 - 3.2 Tonne



STANDARD SPECIFICATIONS

		Counterbalance trucks Designation according VDI 3586		Data sheet for materials handling equipment				VDI 2198 Registration note	
December 2007		Manufactures Data and Design Characteristics							
CHARACTERISTICS	1.1	Manufacturer			Nissan		Nissan		
	1.2	Model name	DX-15		DX-18				
	1.3	Power unit: Electric, Diesel, Gasoline, LPG, others	LPG	Diesel	LPG	Diesel			
	1.4	Operation: Sit, Hand, Pedestrian, Standing, Order picking	Sit	Sit	Sit	Sit			
	1.5	Load capacity	Q (t)	1.5	1.5	1.75	1.75		
	1.6	Load centre	c (mm)	500	500	500	500		
	1.8	Front overhang	x (mm)	400	400	405	405		
	1.9	Wheel base	y (mm)	1415	1415	1415	1415		
	WEIGHTS	2.1	Service weight	kg	2625 <sup>1</sup>	2765	2845 <sup>1</sup>	2985	
2.2		Axle load with load, front/rear	kg	3665/460	3705/560	4065/530	4105/630		
2.3		Axle load without load, front/rear	kg	1210/1415	1250/1515	1195/1650	1235/1750		
3.1		Tyres front/rear (C=Cushion,SE=superelastic,P=pneumatic)	Pneumatic						
3.2		Tyre size, front		6.50-10-14PR	6.50-10-14PR	6.50-10-14PR	6.50-10-14PR		
3.3		Tyre size, rear		5.00-8-8PR	5.00-8-8PR	5.00-8-8PR	5.00-8-8PR		
3.5		Wheels, number front/rear (x=powered)		2x2	2x2	2x2	2x2		
WHEELS & TYRES	3.6	Tread, front	b <sub>10</sub> (mm)	890	890	890	890		
	3.7	Tread, rear	b <sub>11</sub> (mm)	900	900	900	900		
	DIMENSIONS	4.1	Tilt Mast/carriage, forward/backward	α/β (°)	6/12	6/12	6/12	6/12	
		4.2	Height mast fully lowered	h <sub>1</sub> (mm)	1995	1995	1995	1995	
		4.3	Free lift	h <sub>2</sub> (mm)	150	150	155	155	
		4.4	Lift height	h <sub>3</sub> (mm)	3000	3000	3000	3000	
		4.5	Height mast fully extended	h <sub>4</sub> (mm)	3945	3945	3945	3945	
4.7		Overhead guard height	h <sub>6</sub> (mm)	2115	2115	2115	2115		
4.8		Seat height/standing height	h <sub>7</sub> (mm)	1025	1025	1025	1025		
4.12		Towing coupler height	h <sub>12</sub> (mm)	245	245	245	245		
4.19		Overall length	l <sub>1</sub> (mm)	3360	3360	3400	3400		
4.20		Length to fork face	l <sub>2</sub> (mm)	2260	2260	2300	2300		
4.21	Overall width	b <sub>1</sub> (mm)	1080	1080	1080	1080			
4.22	Fork dimensions	s/e/l (mm)	35x100x1100	35x100x1100	40x100x1100	40x100x1100			
4.23	Carriage DIN 15173, Class / Form A,B		2A	2A	2A	2A			
4.24	Carriage width	b <sub>2</sub> (mm)	920	920	920	920			
4.31	Mast underclearance loaded	m <sub>1</sub> (mm)	115	115	115	115			
4.32	Underclearance centre wheelbase	m <sub>2</sub> (mm)	145	145	145	145			
4.33	Right angle stacking aisle with pallet 1000 x 1200 across forks	Ast (mm)	3570	3570	3600	3600			
4.34	Right angle stacking aisle with pallet 800 x 1200 across forks	Ast (mm)	3380	3380	3400	3400			
4.35	Turning radius	Wa (mm)	1970	1970	2000	2000			
4.36	Turning radius, inner	b <sub>13</sub> (mm)	135	135	135	135			
PERFORMANCE	5.1	Travelling speed with/without load	km/h	18.5/18.5	18.5/18.5	18/18	18/18		
	5.2	Lifting speed with/without load	mm/s	580/630	640/690	580/630	640/690		
	5.3	Lowering speed with/without load	mm/s	520/520	520/520	520/520	520/520		
	5.5	Drawbar pull, with/without load	kN	15.3/9.1	16.7/9.9	15.3/9.1	16.7/9.9		
	5.7	Gradeability with/without load	%	39/23	42/23	35/20	37/20		
	5.9	Acceleration with/without load	s	4.4/3.8	4.3/3.8	4.5/3.9	4.5/3.9		
	5.10	Service brake	Hydraulic						
	DRIVE	7.1	Engine manufacturer/type		Nissan K21	Nissan QD32	Nissan K21	Nissan QD32	
		7.2	Engine rated power according ISO 1585	kW	41.5	38	41.5	38	
		7.3	Rated engine revolutions	min <sup>-1</sup>	2700	2300	2700	2300	
7.4		Number of cylinders/Displacement	cm <sup>3</sup>	4/2065	4/3153	4/2065	4/3153		
7.5		Fuel consumption according VDI cycle (60 cycles/hour)	l/h; kg/h	2.8	3.3	3.0	3.6		
OTHERS	8.1	Type of drive control	Torque convertor/1						
	8.2	Working pressure attachments	bar	130	130	130	130		
	8.4	Noise level operator's ear according EN12053	dB(A)	77 <sup>2</sup>	79	77 <sup>2</sup>	79		

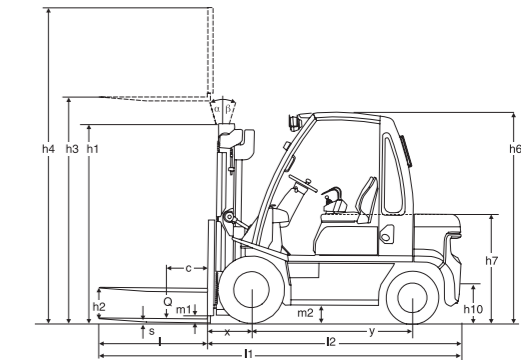
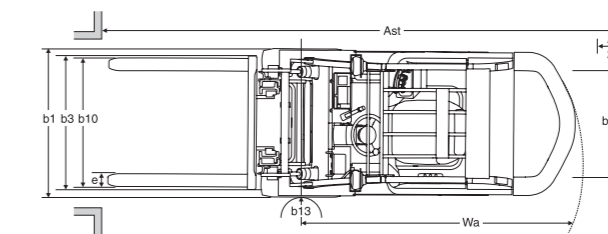
<sup>1</sup>: Excluding the weight for LPG bottle <sup>2</sup>: Noise level at operator's ear in ECO-mode

STANDARD SPECIFICATIONS

		Counterbalance trucks Designation according VDI 3586		Data sheet for materials handling equipment						VDI 2198 Registration note	
December 2007		Manufactures Data and Design Characteristics									
CHARACTERISTICS	1.1	Manufacturer			Nissan		Nissan		Nissan		
	1.2	Model name	DX-20		DX-25		DX-30		DX-32		
	1.3	Power unit: Electric, Diesel, Gasoline, LPG, others	LPG	Diesel	LPG	Diesel	LPG	Diesel	LPG	Diesel	
	1.4	Operation: Sit, Hand, Pedestrian, Standing, Order picking	Sit	Sit	Sit	Sit	Sit	Sit	Sit	Sit	
	1.5	Load capacity	Q (t)	2.0	2.0	2.5	2.5	3.0	3.0	3.2	3.2
	1.6	Load centre	c (mm)	500	500	500	500	500	500	500	500
	1.8	Front overhang	x (mm)	455	455	455	455	485	485	485	485
	1.9	Wheel base	y (mm)	1650	1650	1650	1650	1760	1760	1760	1760
	WEIGHTS	2.1	Service weight	kg	3340 <sup>1</sup>	3485	3700 <sup>1</sup>	3845	4220 <sup>1</sup>	4365	4390 <sup>1</sup>
2.2		Axle load with load, front/rear	kg	4705/635	4780/705	5420/780	5490/855	6385/835	6460/910	6675/915	6750/985
2.3		Axle load without load, front/rear	kg	1550/1790	1625/1860	1475/2225	1545/2300	1705/2515	1780/2590	1685/2705	1760/2775
3.1		Tyres front/rear (C=Cushion,SE=superelastic,P=pneumatic)	Pneumatic								
3.2		Tyre size, front		7.00-12-14PR	7.00-12-14PR	7.00-12-14PR	7.00-12-14PR	28x9-15-14PR	28x9-15-14PR	28x9-15-14PR	28x9-15-14PR
3.3		Tyre size, rear		6.00-9-10PR	6.00-9-10PR	6.00-9-10PR	6.00-9-10PR	6.50-10-14PR	6.50-10-14PR	6.50-10-14PR	6.50-10-14PR
3.5		Wheels, number front/rear (x=powered)		2x2	2x2	2x2	2x2	2x2	2x2	2x2	2x2
WHEELS & TYRES	3.6	Tread, front	b <sub>10</sub> (mm)	965	965	965	965	1005	1005	1005	1005
	3.7	Tread, rear	b <sub>11</sub> (mm)	975	975	975	975	980	980	980	980
	DIMENSIONS	4.1	Tilt Mast/carriage, forward/backward	α/β (°)	6/12	6/12	6/12	6/12	6/12	6/12	6/12
		4.2	Height mast fully lowered	h <sub>1</sub> (mm)	1995	1995	1995	1995	2025	2025	2025
		4.3	Free lift	h <sub>2</sub> (mm)	155	155	155	155	160	160	160
		4.4	Lift height	h <sub>3</sub> (mm)	3000	3000	3000	3000	3000	3000	3000
		4.5	Height mast fully extended	h <sub>4</sub> (mm)	4045	4045	4045	4045	4140	4140	4140
4.7		Overhead guard height	h <sub>6</sub> (mm)	2130	2130	2130	2130	2155	2155	2155	
4.8		Seat height/standing height	h <sub>7</sub> (mm)	1040	1040	1040	1040	1065	1065	1065	
4.12		Towing coupler height	h <sub>12</sub> (mm)	335	335	335	335	365	365	365	
4.19		Overall length	l <sub>1</sub> (mm)	3630	3630	3705	3705	3870	3870	3870	
4.20		Length to fork face	l <sub>2</sub> (mm)	2530	2530	2605	2605	2770	2770	2770	
4.21	Overall width	b <sub>1</sub> (mm)	1155	1155	1155	1155	1230	1230	1230		
4.22	Fork dimensions	s/e/l (mm)	40x100x1100	40x100x1100	40x100x1100	40x100x1100	45x100x1100	45x100x1100	45x100x1100		
4.23	Carriage DIN 15173, Class / Form A,B		2A	2A	2A	2A	3A	3A	3A		
4.24	Carriage width	b <sub>2</sub> (mm)	1020	1020	1020	1020	1020	1020	1020		
4.31	Mast underclearance loaded	m <sub>1</sub> (mm)	115	115	115	115	145	145	145		
4.32	Underclearance centre wheelbase	m <sub>2</sub> (mm)	165	165	165	165	190	190	190		
4.33	Right angle stacking aisle with pallet 1000 x 1200 across forks	Ast (mm)	3845	3845	3905	3905	4075	4075	4075		
4.34	Right angle stacking aisle with pallet 800 x 1200 across forks	Ast (mm)	3585	3585	3705	3705	3875	3875	3875		
4.35	Turning radius	Wa (mm)	2190	2190	2250	2250	2390	2390	2390		
4.36	Turning radius, inner	b <sub>13</sub> (mm)	170	170	170	170	160	160	160		
PERFORMANCE	5.1	Travelling speed with/without load	km/h	19/19	19/19	19/19	19/19	19/19	19/19	19/19	
	5.2	Lifting speed with/without load	mm/s	620/700	620/660	620/700	620/660	520/580	510/550	470/580	
	5.3	Lowering speed with/without load	mm/s	500/500	500/500	500/500	500/500	500/500	500/500	500/500	
	5.5	Drawbar pull, with/without load	kN	18.5/14.7	17/15	18.5/14.7	17/15	17.4/17.2	17.1/17.5	17.4/16.7	
	5.7	Gradeability with/without load	%	34/26	30/26	29/22	26/22	23/23	22/23	22/22	
	5.9	Acceleration with/without load	s	4.3/3.7	4.6/3.9	4.5/3.8	4.8/4.0	4.8/4.0	5.2/4.2	4.8/4.0	
	5.10	Service brake	Hydraulic								
	DRIVE	7.1	Engine manufacturer/type		Nissan K25	Nissan QD32	Nissan K25	Nissan QD32	Nissan K25	Nissan QD32	Nissan K25
		7.2	Engine rated power according ISO 1585	kW	46.9	38	46.9	38	46.9	38	46.9
		7.3	Rated engine revolutions	min <sup>-1</sup>	2700	2000	2700	2000	2700	2000	2700
7.4		Number of cylinders/Displacement	cm <sup>3</sup>	4/2488	4/3153	4/2488	4/3153	4/2488	4/3153	4/2488	
7.5		Fuel consumption according VDI cycle (60 cycles/hour)	l/h; kg/h	2.9	3.5	3.8	4.2	4.6	4.8	5.0	
OTHERS	8.1	Type of drive control	Torque convertor/1								
	8.2	Working pressure attachments	bar	130	130	130	130	130	130	130	
	8.4	Noise level operator's ear according EN12053	dB(A)	77 <sup>2</sup>	78	77 <sup>2</sup>	78	77 <sup>2</sup>	78	77 <sup>2</sup>	

<sup>1</sup>: Excluding the weight for LPG bottle <sup>2</sup>: Noise level at operator's ear in ECO-mode

DIMENSIONS



MAST SPECIFICATIONS & RATED CAPACITIES: 2.0, 2.5 TONNE

Mast Type	Mast name	Maximun fork height (mm) <sup>1)</sup>	Overall Height		Free Lift		Tilt angle degrees	Load capacity 2)	
			Fully lowered (mm) <sup>1)</sup>	Fully extended (mm) <sup>1)</sup>	Without backrest (mm) <sup>1)</sup>	With STD backrest (mm) <sup>1)</sup>		Load centre 500 mm 2.0 tonne kg <sup>1)</sup>	2.5 tonne kg <sup>1)</sup>
TWO STAGE WIDE VIEW	2W300	3000	1995	3640	4045	155	6/12	2000	2500
	2W330	3300	2145	3940	4345	155	6/12	2000	2500
	2W350	3500	2280	4140	4545	155	6/12	2000	2500
	2W370	3700	2405	4340	4745	155	6/12	2000	2500
	2W400	4000	2595	4640	5045	155	6/6	2000	2500
	2W450	4500	2845	5140	5545	155	6/6	1950	2400
TWO STAGE FULL FREE	2F300	3000	1995	3675	4045	1360	6/12	2000	2500
	2F330	3300	2145	3975	4345	1510	6/12	2000	2500
	2F350	3500							